



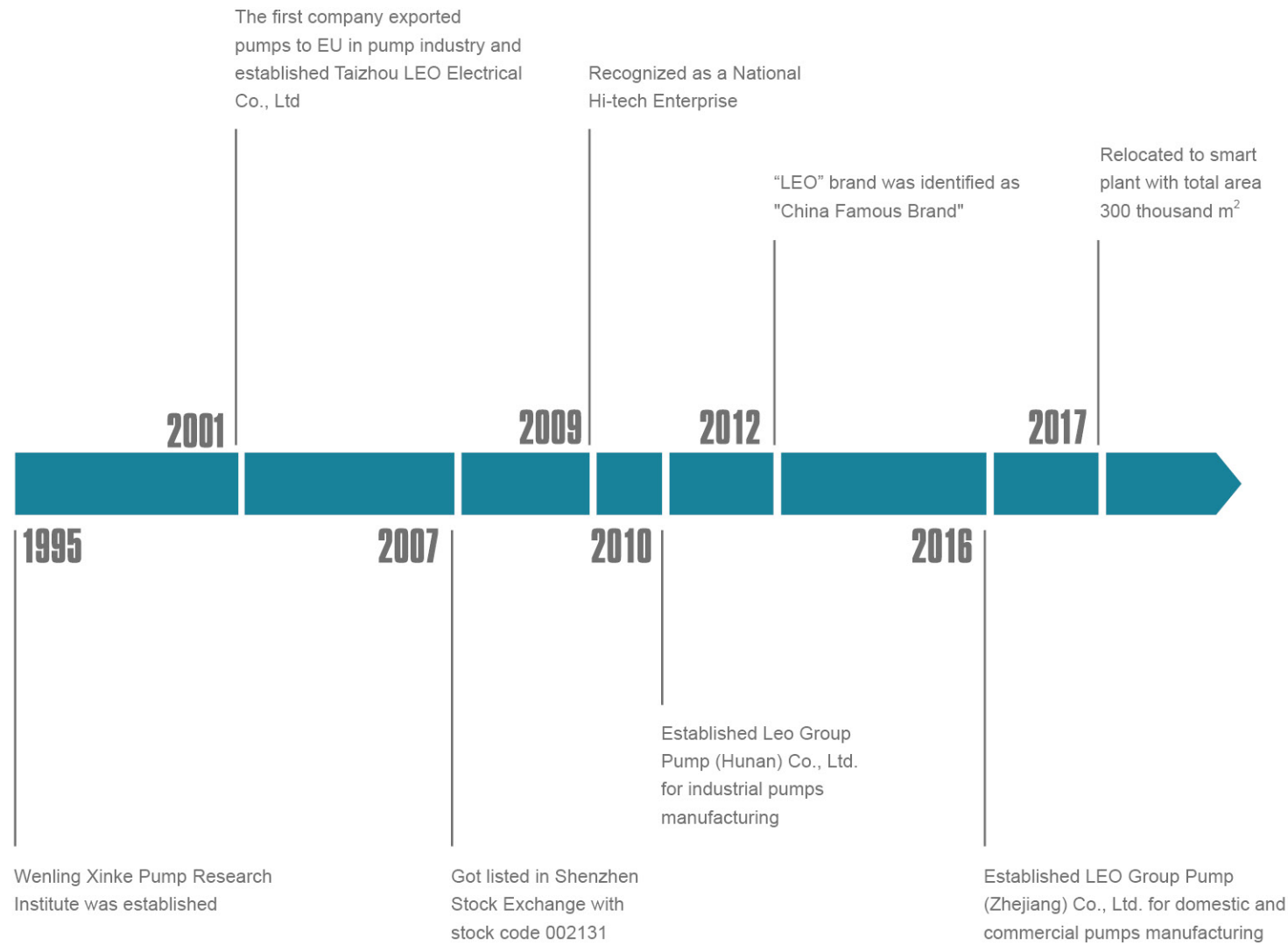
- 01 - - 02 - - 03 - - 04 - - 05 - - 06 - - 07 - - 08 -

Pumps

- Circulation Pump
- Booster Pump



HISTORY



TO KNOW LEO

LEO Group (got listed in Shenzhen Stock Exchange with stock code 002131) is a national high-tech enterprise engaged in R&D, design, manufacture, sales and service of all series pumps and systems. LEO is the first listed company in Chinese pump industry, one of the drafters of pump industry standard and the vice president of drainage and irrigation machinery branch of China Agricultural machinery industry association as well. "LEO" has been identified as "China Famous Brand" by the State Administration of Industry and Commerce. It is mentionable that LEO has the only state-authorized technical center in pump industry.

We have set up many production and sales subsidiaries in key regional markets such as America, Hungary, Belgium, Thailand, Indonesia, United Arab Emirates and Bangladesh and authorized exclusive distribution agency in over 100 countries.

Our products have been sold to over 120 countries and regions, such as Europe, North America, Central & South America, Southeast Asia, Middle East, Africa, Oceania, etc., which play a crucial role in water conservancy, water resources, electric power construction, petrochemical industry, mining, metallurgy, fire-fighting, HVAC (Heating, Ventilation and Air Conditioning), agricultural irrigation, civil water supply and drainage, etc.

LEO has currently two industrial groups respectively for industrial and civilian applications. With four manufacturing bases in Wengling of Zhejiang, Xiangtan of Hunan, Wuxi of Jiangsu and Dalian of Liaoning, LEO possesses a solid foundation to become a world-class pump and system solution provider rapidly.

With over 70 years' professional technology, LEO will continue her consistent creativity and development ability in each pump for human's health.



NUMEROUS MEMBERS, ONE FAMILY

Based on market segment, LEO's pump business is divided into 5 fields, namely water conservancy & water resources, power station, petrochemical industry, mining & metallurgical industry and civilian applications. For each field there's a professional manufacturing base with relevant professional sales teams. Three subsidiary companies, Wuxi LEO Xi Pump, LEO Group Pump (Hunan) and Dalian LEO Pump are all well-known industrial pump manufacturers in their own fields. With over 70 years' industrial pump manufacturing experience and extraordinary comprehensive strength, LEO has become a leading company among all industrial pump manufacturers in China.



Pump Manufacturing Base for Domestic and Commercial Applications (Wenling City, Zhejiang Province)

LEO Group Pump (Zhejiang) Co., Ltd, a wholly-owned subsidiary of LEO Group Co., Ltd, is the core base for R&D, manufacturing, sales and service of domestic and commercial pumps for family water supply, pipeline boosting, garden and field irrigation, HVAC, etc.

The leading products include peripheral pump, jet pump, centrifugal pump, garden submersible pump, fountain pump, pool pump, doestic lifting station, gasoline engine pump, diesel engine pump, submersible pump, submersible borehole pump, submersible sewage pump, stainless steel vertical multistage pump, etc.

The product range covers 15 series with over 2,000 specifications, which are well sold in more than 120 countries and regions. The base has established steady cooperative relationships with world-class pump manufacturers, importers, dealers and hypermarkets.



Pump Manufacturing Base for General Industrial Pumps (Xiangtan City, Hunan Province)

Established in 2010, LEO Group Pump (Hunan) Co., Ltd. is a wholly-owned subsidiary by LEO Group Co., Ltd. Located in Jiuhua Economic Development Zone of Xiangtan City, Hunan Province. Covers an area of 85,000m² and construction area is about 92,635 m² with total investment of approximately 74 million dollars. It is the most important R&D, manufacturing and testing center of LEO Group. The leading products include large mixed flow and axial flow pump (vertical, horizontal, oblique, tubular, submersible etc.), double-suction centrifugal pump, multistage centrifugal pump, slurry pump, desulphurization pump and submersible centrifugal pump. Products are mainly used in mine, metallurgy, coal washing, FGD, municipal water etc.



Pump Manufacturing Base for Water Conservancy & Water Resources (Wuxi City, Jiangsu Province)

Formerly known as Wuxi Xi Pump Manufacturing Co., Ltd., a well-known manufacturer of water conservancy, is specialized in large and medium-sized pumps production for urban water supply and drainage, farmland irrigation, water conservancy projects and large water diversion project. The main products cover 32 series with nearly 1000 specifications. Products exported to more than 20 countries in Asia, Latin-America, Europe and Oceania.

As a main supplier, the base provides large pumps for South-to-North Water Diversion Project—a national key project. There are over 140 technicians, including 1 professor level senior engineer, 16 senior engineers, and 39 engineers.



Pump Manufacturing Base for Petrochemical Industry (Dalian City, Liaoning Province)

It is the pump manufacturing base for petrochemical industry, combined with Dalian LEO Huaneng Pump Co., Ltd and LEO (Dalian) Industrial Pump Technology Center Co., Ltd.

Formerly known as Dalian Huaneng Corrosion-Resistant Pump Works, the base is specialized in production of petrochemical pumps for crude oil transportation, crude oil refinery, heavy chemical industry, coal chemical industry and fine chemistry, etc. The base focuses on design and manufacture of 30 series (OH, BB, VS, etc.) of petrochemical pumps with over 3000 specifications, which are in accordance with API and ISO standard.

LEO (Dalian) Industrial Pump Technology Center Co., Ltd. is one of the research branch of national level technology center for petrochemical pumps, specializes in R&D , design of pumps of petro chemistry, coal chemical industry, long-distance transport pipes, energy resources, fine chemicals industry, etc. Design and develop software and large laboratories, explore liquid transport schemes under severe conditions and solve the difficult projects of ultralow temperature, high temperature, high pressure, low cavitation, highly corrosive, energy recovery, etc.



Application

- It is widely used for heating ventilating and air conditioning (HVAC) circulation, pressure boosting of hot water in family, homes powered by solar energy, industrial auxiliary equipment cold and hot water circulation and so forth
- Water circulation for the central and district heating system
- Domestic hot water circulation

Pump

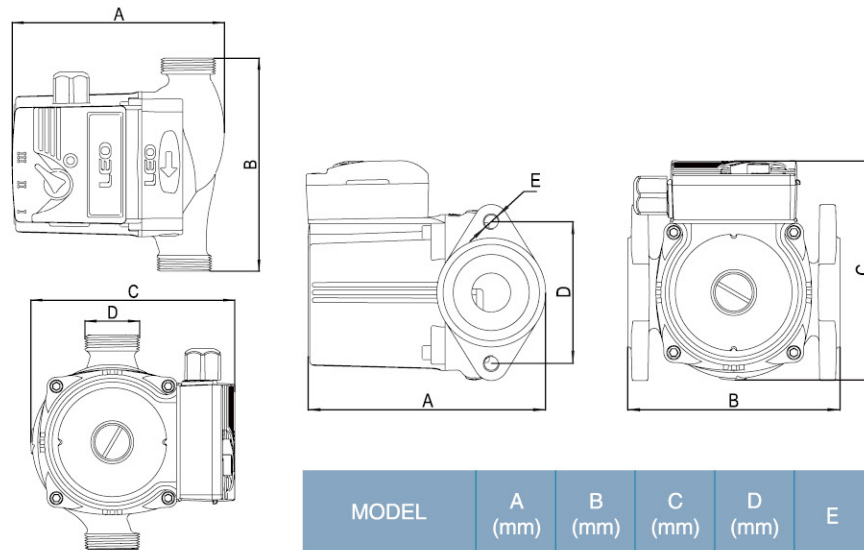
- Bronze or anti-rust cast iron pump body
- Noryl impeller with heat resistance up to 150°C
- 99% alumina ceramic shaft
- Liquid temperature: 2°C - 110°C

Motor

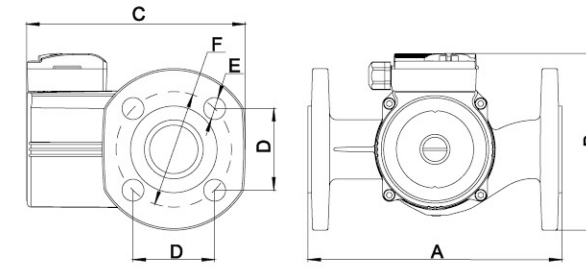
- Insulation class: H
- Protection class: IP44
- 99% alumina ceramic bearing
- Copper winding
- Three speed motor

MODEL	A (mm)	B (mm)	C (mm)	D
LRP15-40/130	130	130	125	G1
LRP15-40B/130	130	130	125	G1
LRP20-40/130	130	130	125	G1.25
LRP25-40/130	130	130	125	G1.5
LRP25-40/180	130	180	125	G1.5
LRP32-40/180	135	180	125	G2
LRP15-50/130	130	130	125	G1
LRP15-50B/130	130	130	125	G1
LRP20-50/130	130	130	125	G1.25
LRP25-50/130	130	130	125	G1.5
LRP25-50/180	130	180	125	G1.5
LRP32-50/180	135	180	125	G2
LRP15-60/130	130	130	125	G1
LRP15-60B/130	130	130	125	G1
LRP20-60/130	130	130	125	G1.25
LRP25-60/130	130	130	125	G1.5
LRP25-60/180	130	180	125	G1.5
LRP32-60/180	135	180	125	G2
LRP25-70/130	130	130	125	G1.5
LRP25-70/180	130	180	125	G1.5
LRP32-70/180	135	180	125	G2
LRP25-80/180	154	180	134	G1.5
LRP25-120/180	155	180	148	G1.5
LRP32-80/180	168	180	137	G2

Dimension Drawing



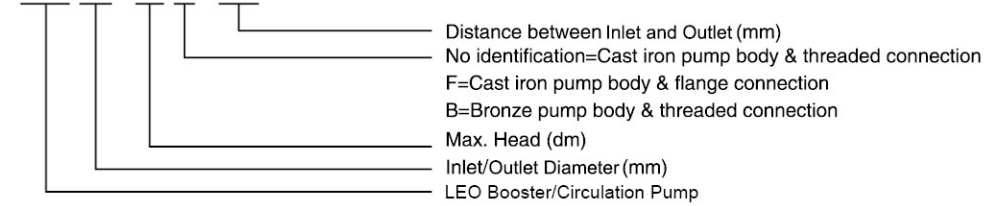
MODEL	A (mm)	B (mm)	C (mm)	D (mm)	E
LRP21-40F/120	130	120	125	80	M10
LRP21-50F/120	130	120	125	80	M10
LRP21-60F/120	130	120	125	80	M10
LRP21-70F/120	130	120	125	80	M10



MODEL	A (mm)	B (mm)	C (mm)	D (mm)	E (mm)	F (mm)
LRP32-80F/220	220	150	191.5	70.7	Ø19	Ø100
LRP36-80F/200	200	138	174.5	63.6	Ø11.5	Ø90
LRP40-80F/250	250	155	196.5	77.8	Ø19	Ø110

Identification Codes

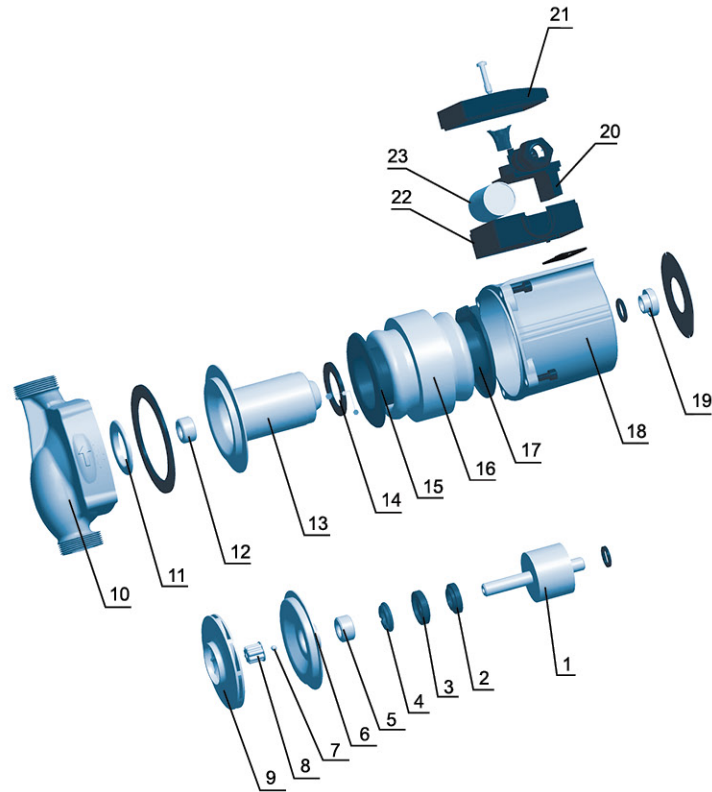
LRP 15 - 50 B / 130



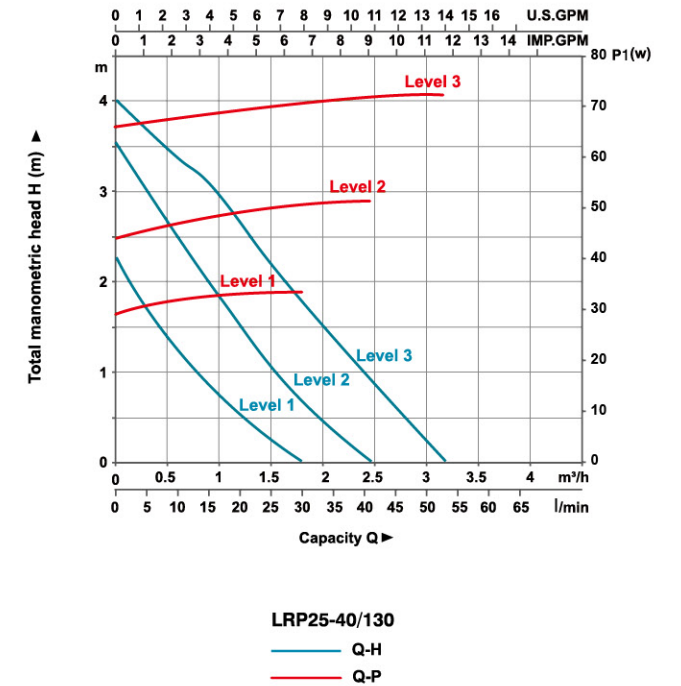
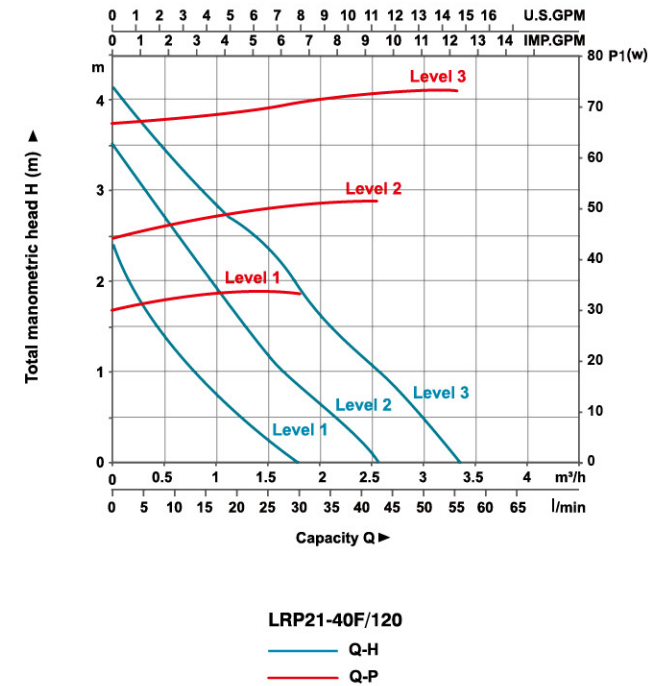
MODEL	POWER	POWER (W)			Max. Flow (l/min)	Max. Head (m)	Inlet/Outlet (mm)	Pipe Size (inch)	N.W. (kgs)	G.W. (kgs)	Packing Size (mm)
		3	2	1							
LRP15-40/130	1~230V/50Hz	74	54	34	40/30/22	4.0/3.3/2.3	Ø15	1	2.32	2.45	154x143x153
LRP15-40B/130	1~230V/50Hz	74	54	34	40/30/22	4.0/3.3/2.3	Ø15	1	2.41	2.54	154x143x153
LRP20-40/130	1~230V/50Hz	74	54	34	45/35/25	4.0/3.3/2.3	Ø20	1.25	2.37	2.5	154x143x153
LRP21-40F/120	1~230V/50Hz	74	54	34	55/42/30	4.0/3.3/2.3	Ø21	1.25	2.65	2.78	154x143x153
LRP25-40/130	1~230V/50Hz	74	54	34	52/42/30	4.0/3.3/2.3	Ø25	1.5	2.44	2.57	154x143x153
LRP25-40/180	1~230V/50Hz	74	54	34	55/42/30	4.0/3.3/2.3	Ø25	1.5	2.55	2.705	198x143x160
LRP32-40/180	1~230V/50Hz	74	54	34	55/42/30	4.0/3.3/2.3	Ø32	2	2.73	2.885	198x143x160
LRP15-50/130	1~230V/50Hz	85	60	40	40/32/23	4.5/3.8/2.5	Ø15	1	2.32	2.45	154x143x153
LRP15-50B/130	1~230V/50Hz	85	60	40	40/32/23	4.5/3.8/2.5	Ø15	1	2.41	2.54	154x143x153
LRP20-50/130	1~230V/50Hz	85	60	40	47/37/25	4.5/3.8/2.5	Ø20	1.25	2.37	2.5	154x143x153
LRP21-50F/120	1~230V/50Hz	85	60	40	58/45/32	4.5/3.8/2.5	Ø21	1.25	2.65	2.78	154x143x153
LRP25-50/130	1~230V/50Hz	85	60	40	55/43/28	4.5/3.8/2.5	Ø25	1.5	2.44	2.57	154x143x153
LRP25-50/180	1~230V/50Hz	85	60	40	60/47/32	4.5/3.8/2.5	Ø25	1.5	2.55	2.705	198x143x160
LRP32-50/180	1~230V/50Hz	85	60	40	60/47/32	4.5/3.8/2.5	Ø32	2	2.73	2.885	198x143x160
LRP15-60/130	1~230V/50Hz	96	69	45	40/32/23	5.5/4.5/2.8	Ø15	1	2.32	2.45	154x143x153
LRP15-60B/130	1~230V/50Hz	96	69	45	40/32/23	5.5/4.5/2.8	Ø15	1	2.41	2.54	154x143x153
LRP20-60/130	1~230V/50Hz	96	69	45	53/37/25	5.5/4.5/2.8	Ø20	1.25	2.37	2.5	154x143x153
LRP21-60F/120	1~230V/50Hz	96	69	45	60/45/32	5.5/4.5/2.8	Ø21	1.25	2.65	2.78	154x143x153
LRP25-60/130	1~230V/50Hz	96	69	45	58/43/28	5.5/4.5/2.8	Ø25	1.5	2.44	2.57	154x143x153
LRP25-60/180	1~230V/50Hz	96	69	45	66/47/32	5.5/4.5/2.8	Ø25	1.5	2.55	2.705	198x143x160
LRP32-60/180	1~230V/50Hz	96	69	45	66/47/32	5.5/4.5/2.8	Ø32	2	2.73	2.885	198x143x160
LRP21-70F/120	1~230V/50Hz	150	130	105	67/50/37	6.3/6.0/5.2	Ø21	1.5	2.65	2.805	154x143x153
LRP25-70/130	1~230V/50Hz	150	130	105	67/50/37	6.3/6.0/5.2	Ø25	1.5	2.45	2.605	154x143x153
LRP25-70/180	1~230V/50Hz	150	130	105	67/50/37	6.3/6.0/5.2	Ø25	1.5	2.57	2.725	198x143x160
LRP32-70/180	1~230V/50Hz	150	130	105	67/50/34	6.3/6.0/5.2	Ø32	2	2.75	2.905	198x143x160
LRP25-80/180	1~230V/50Hz	200	190	160	120/100/60	7.1/6.5/5.5	Ø28	1.5	4.23	4.57	192x170x190
LRP32-80/180	1~230V/50Hz	270	245	160	167/100/60	7.3/6.7/5.4	Ø42	2	4.75	5.09	192x170x190
LRP36-80F/200	1~230V/50Hz	270	245	160	170/113/65	7.3/6.7/5.4	Ø42	2	5.98	6.36	214x170x190
LRP40-80F/250	1~230V/50Hz	270	245	160	170/113/65	7.3/6.7/5.4	Ø42	2	8.27	8.74	264x186x212
LRP25-120/180	1~230V/50Hz	270	245	160	67/38/22.5	11.5/10/6.3	Ø18	1.5	4.62	4.96	192x170x190

Materials Table

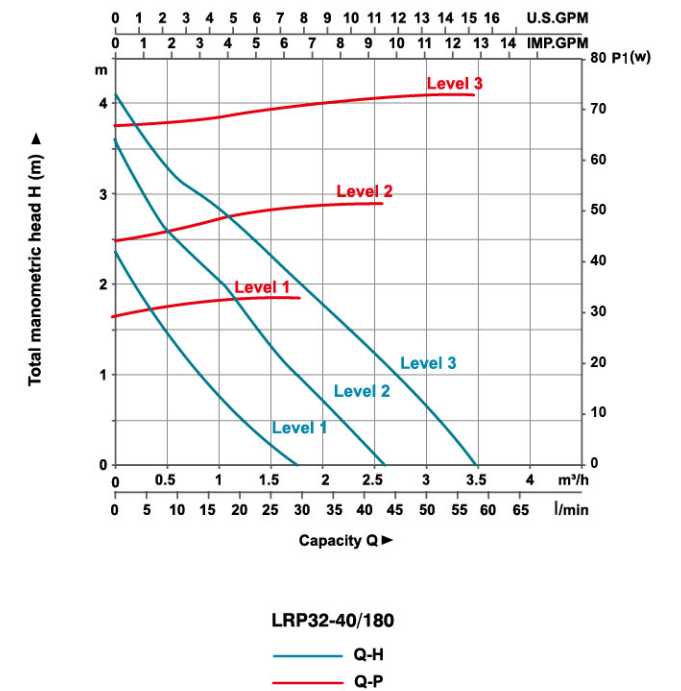
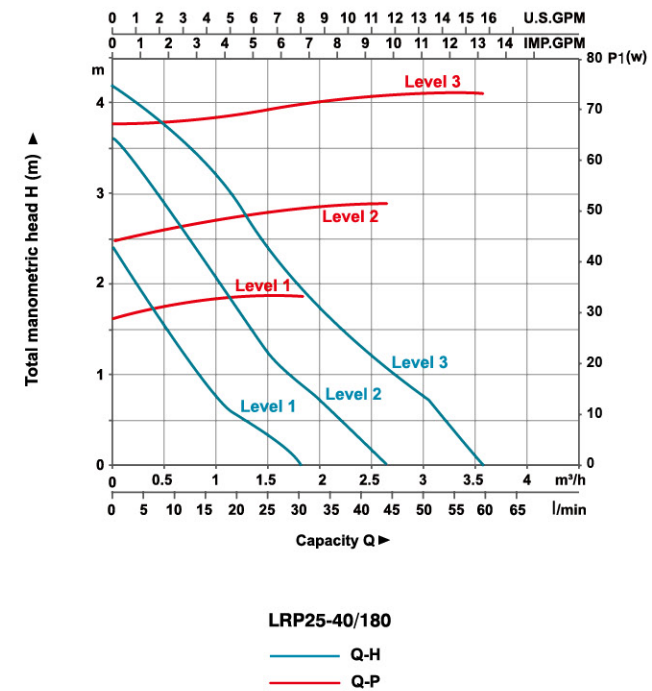
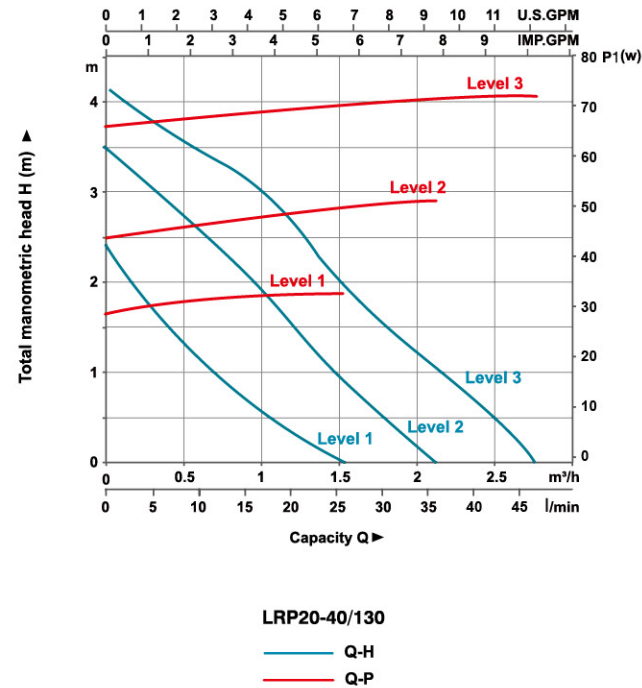
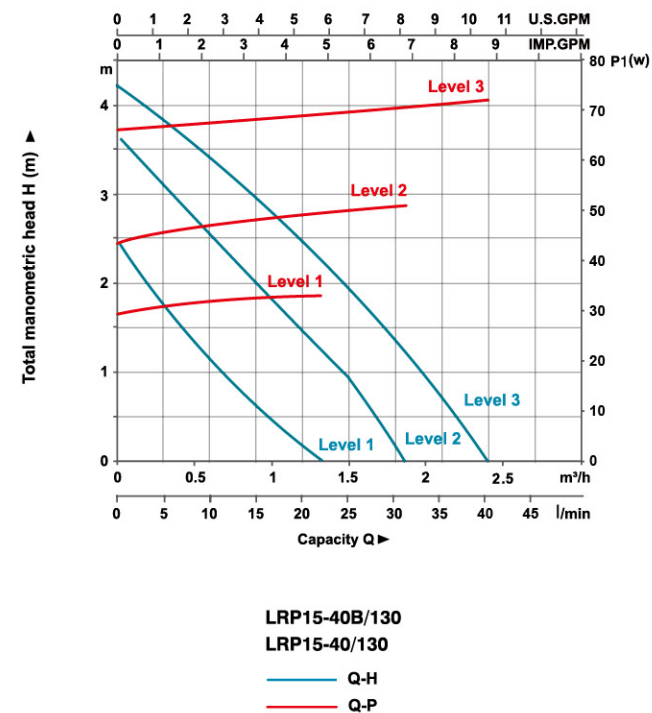
No.	Part	Material
1	Rotor	
2	Thrust bearing adjusting mat	Noryl
3	Thrust ring support	Silicon rubber
4	Bushings	Graphite
5	Front bearing	Alumina
6	Pump support cover	Stainless steel
7	Check ball	Silicon rubber
8	Locking	Stainless steel
9	Impeller	PPO
10	Pump body	Cast iron/Bronze
11	Pump body insert	Stainless steel
12	Back bearing	Alumina
13	Can brg asm	Stainless steel
14	Can brg asm seal	Silicon rubber
15	Stator cover(front)	PA66
16	Stator	
17	Stator cover(back)	PA66
18	Housing	ADC12
19	Drain plug	Copper
20	Speed regulation board	
21	Terminal cover	ABS
22	Terminal box	PC
23	Capacitor	



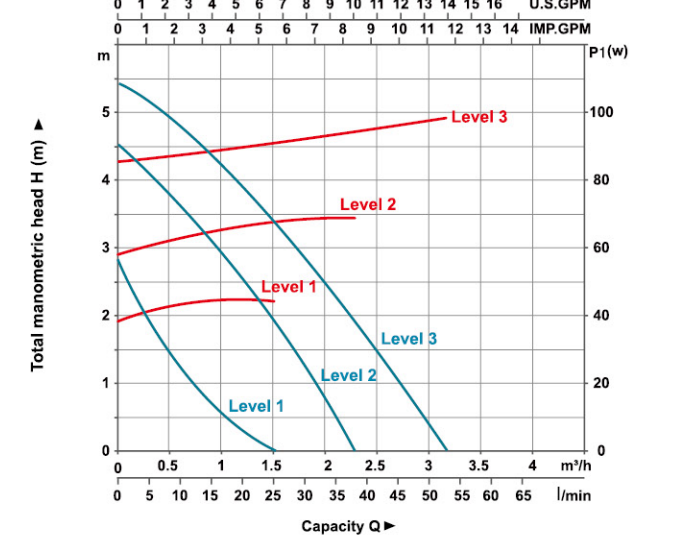
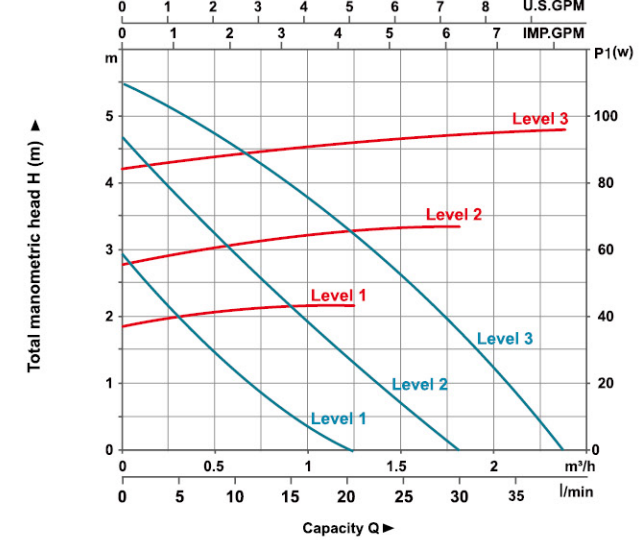
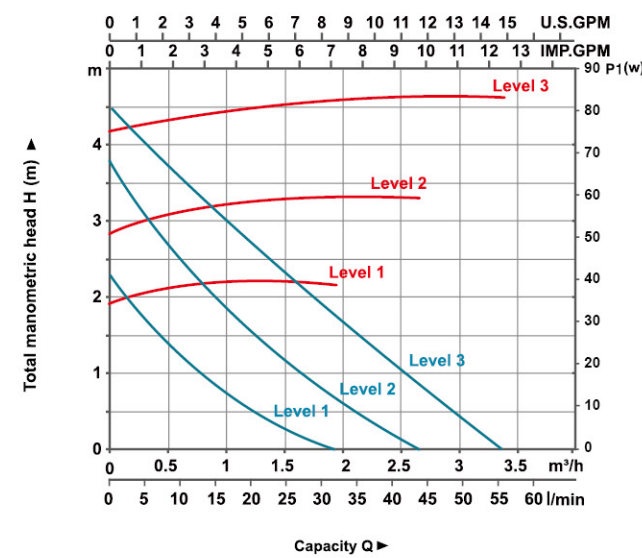
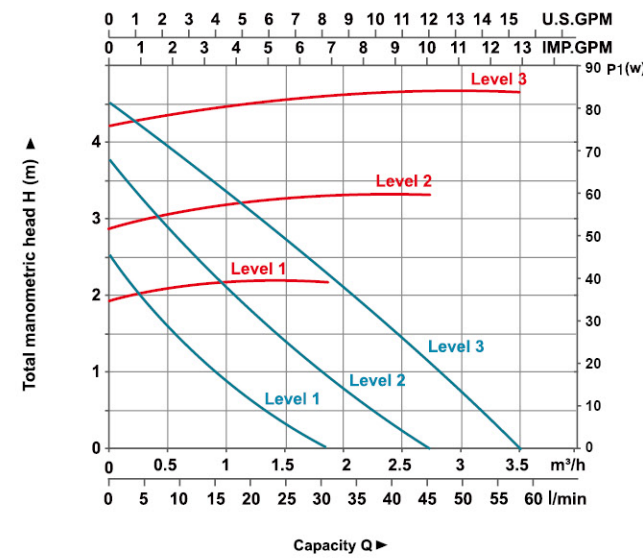
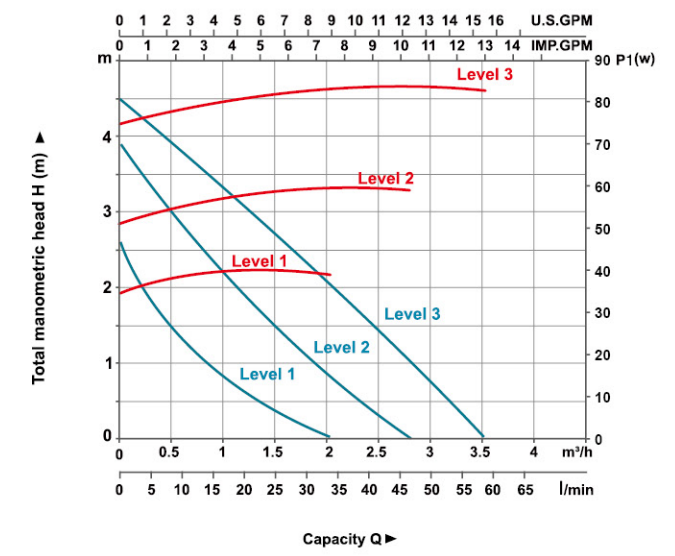
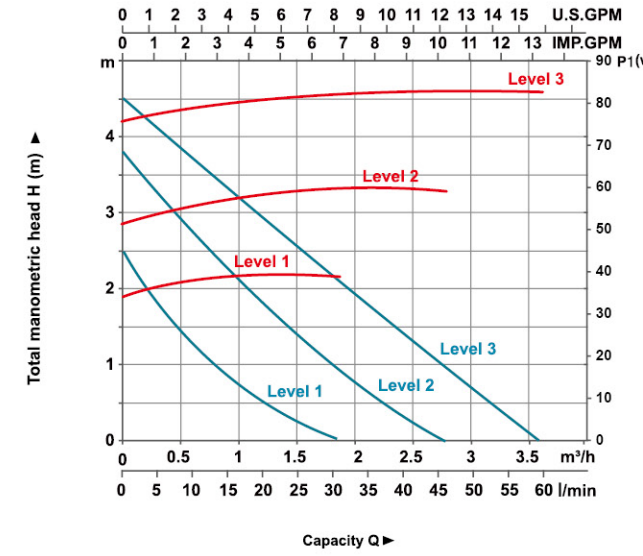
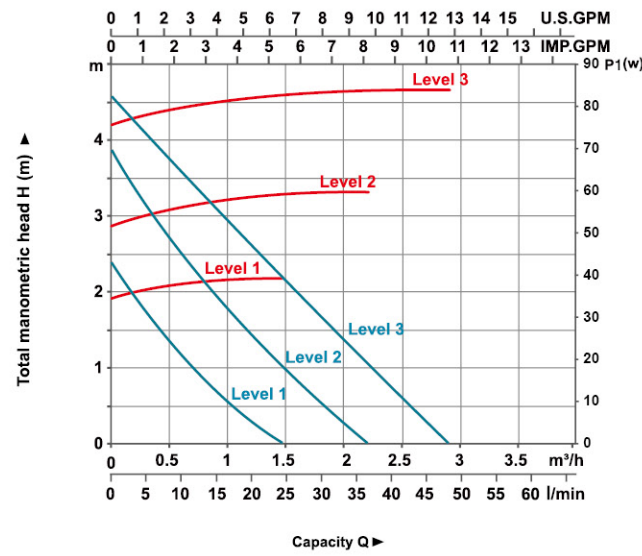
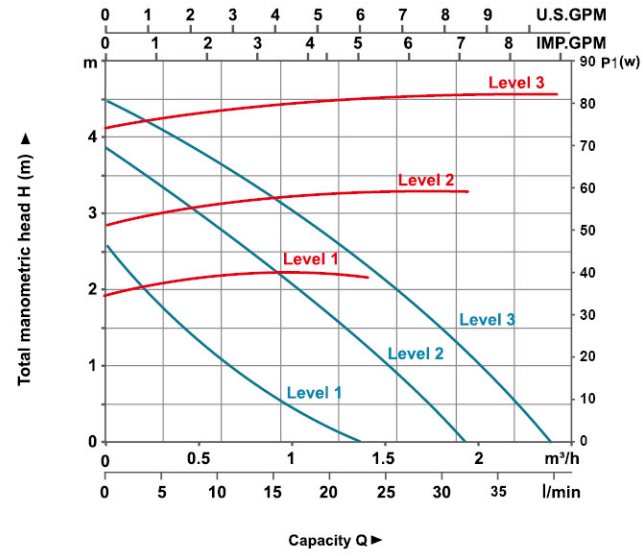
Hydraulic Performance Curves



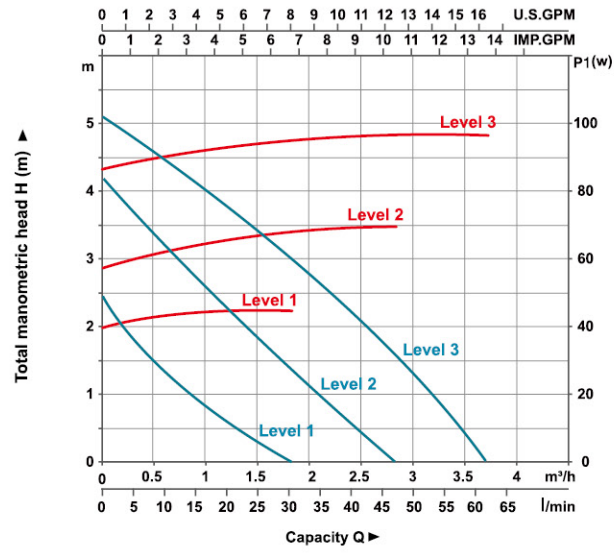
Hydraulic Performance Curves



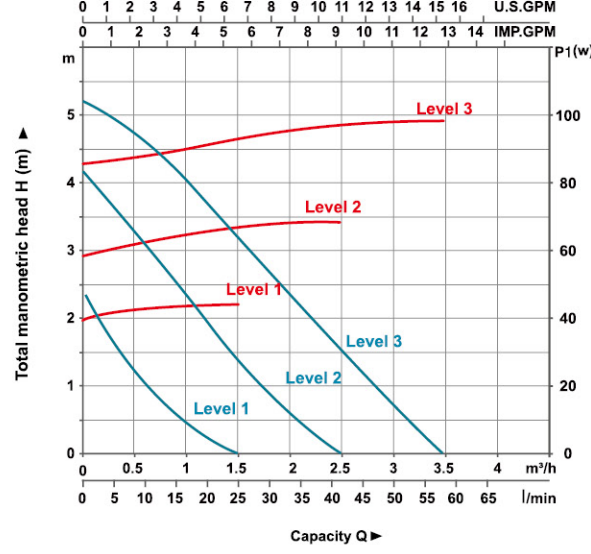
Hydraulic Performance Curves



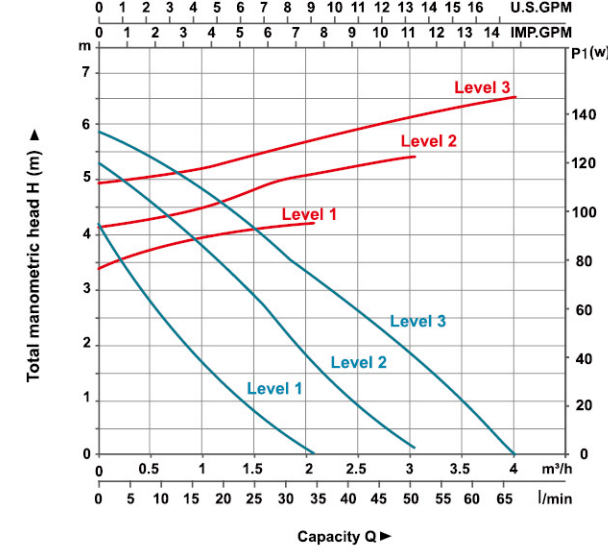
Hydraulic Performance Curves



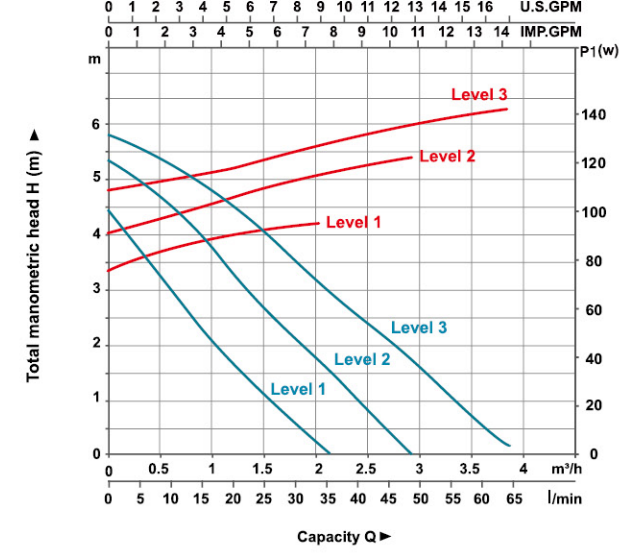
LRP21-60F/120
— Q-H
— Q-P



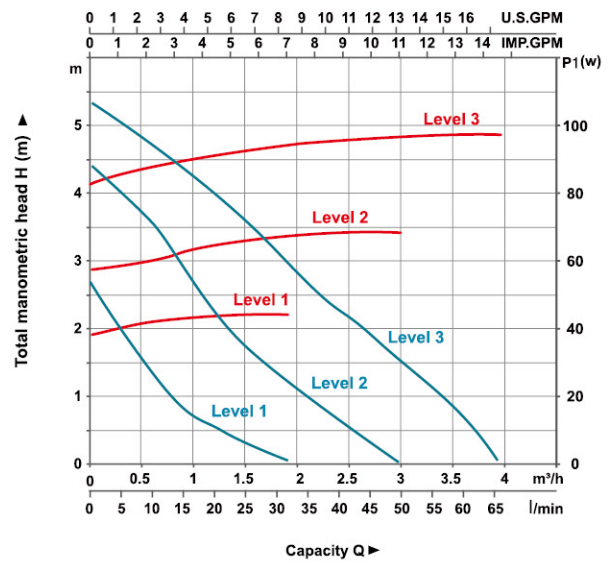
LRP25-60/130
— Q-H
— Q-P



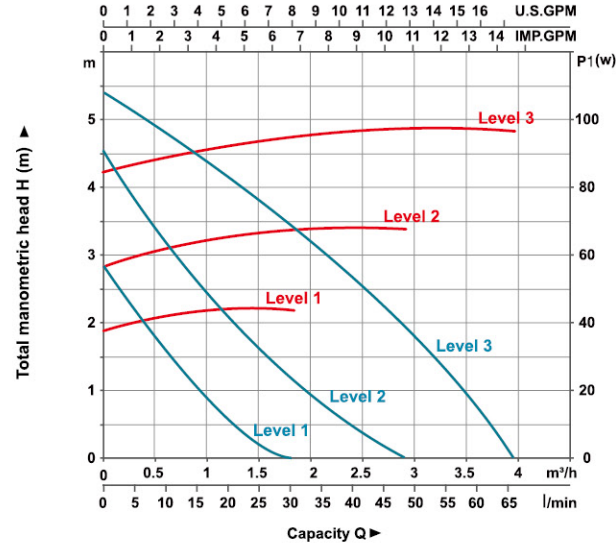
LRP21-70F/120
— Q-H
— Q-P



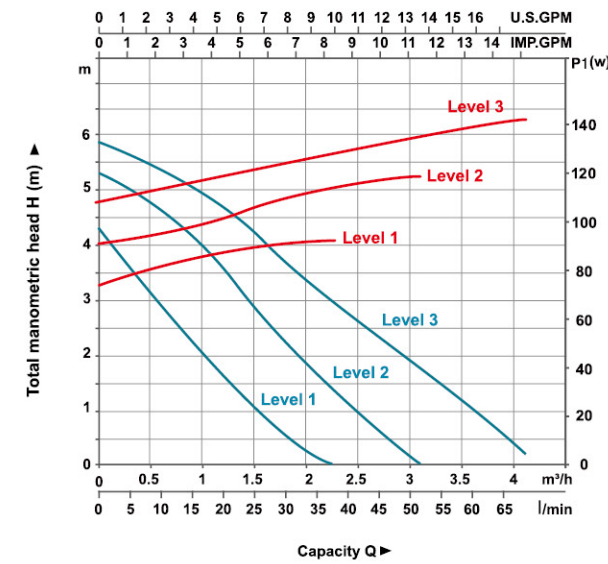
LRP25-70/130
— Q-H
— Q-P



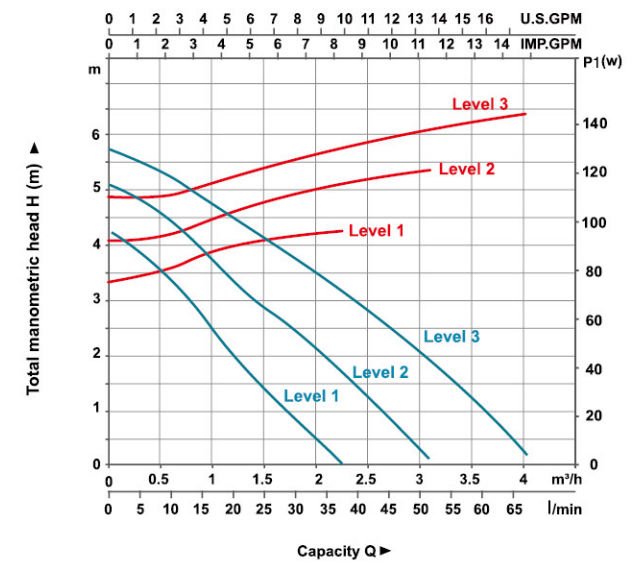
LRP25-60/180
— Q-H
— Q-P



LRP32-60/180
— Q-H
— Q-P

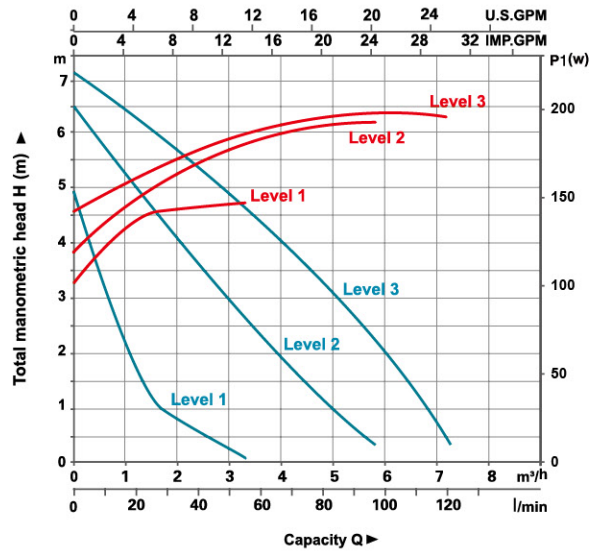


LRP25-70/180
— Q-H
— Q-P

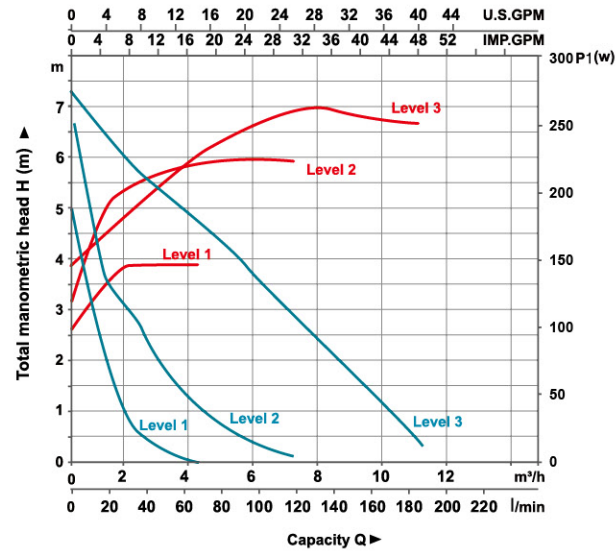


LRP32-70/180
— Q-H
— Q-P

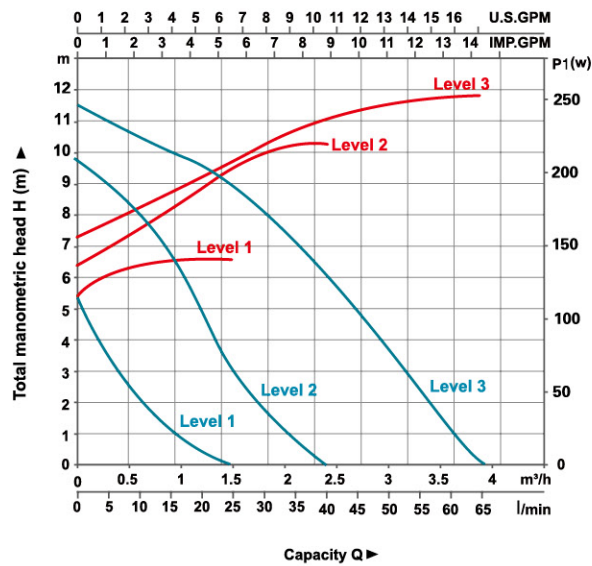
Hydraulic Performance Curves



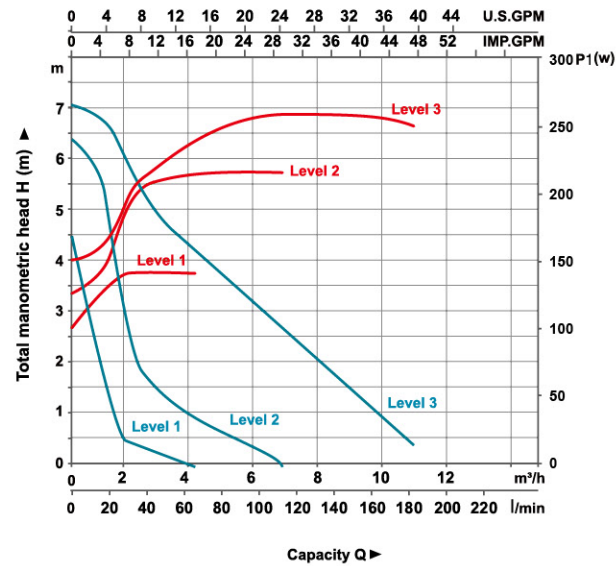
LRP25-80/180
— Q-H
— Q-P



LRP32-80/180
LRP32-80F/220
LRP36-80F/200
— Q-H
— Q-P



LRP25-120/180
— Q-H
— Q-P



LRP40-80F/250
— Q-H
— Q-P

Application

- Can be used to transfer clean water or other liquids similar to water in physical and chemical properties
- Heating systems with constant or variable flows
- Heating systems with variable flow-pipe temperature
- Heating systems where night setback is desired
- Heating systems where the differential pressure of the pump is too high during periods of reduced flow demand
- Heating systems where requires a fully automatic adjustment of the performance to flow demands
- Pressure boosting of water heaters
- Circulation and pressure boosting of domestic water

Pump

- Compact design with perfect integrated control unit
- Anti-rust cast iron pump body
- Noryl impeller with heat resistant up to 150°C
- 99% alumina ceramic shaft
- Liquid temperature: 2°C to 110°C

Motor

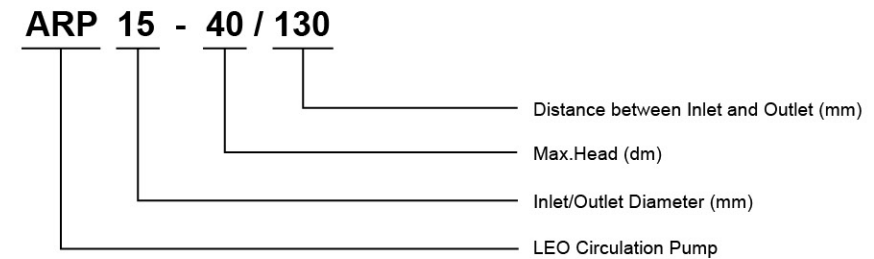
- Insulation class: H
- Protection class: IP42
- 99% alumina ceramic bearing
- Copper winding
- Power /frequency(V/Hz): 220-240/50
- EEI: ≤ 0.23, which complies with the Eup Directive



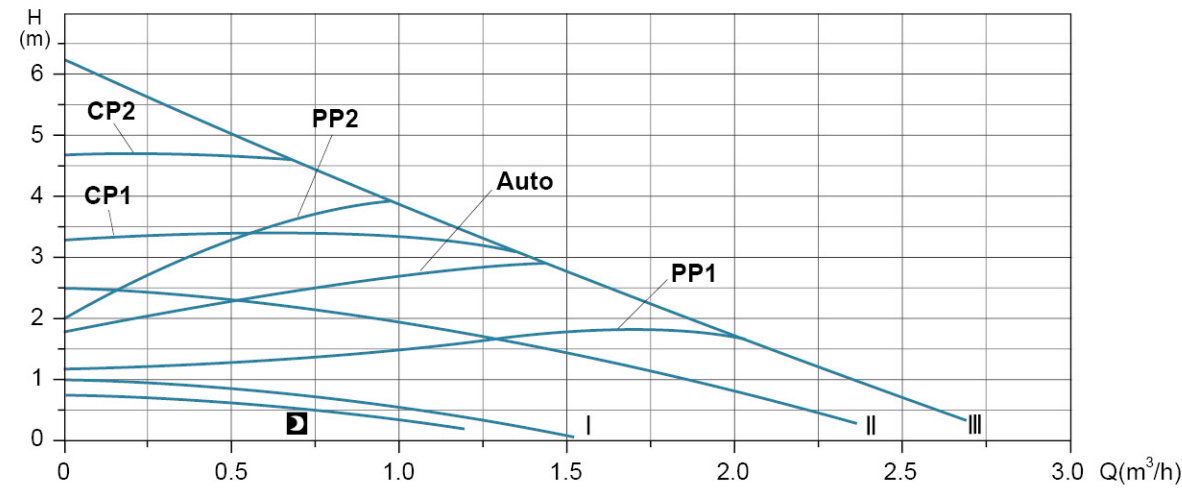
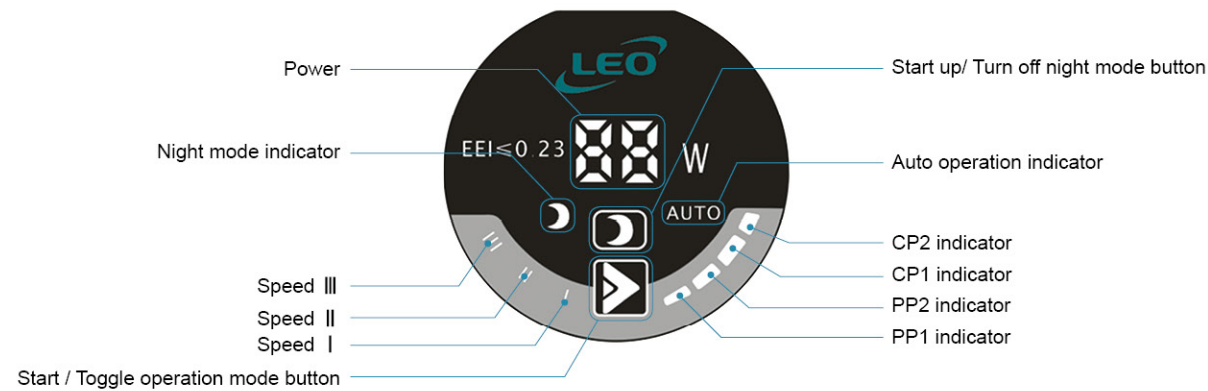
Connectors on request



Identification Codes



Function Introduction



Mode	Pump Feature	Function
Auto	Max. to Min. proportional pressure curve	The auto adapt function enables the pump to control the performance to within a defined performance range. i.e. adjusting the pump performance to the size of the system and the variations in load over time. In this mode, the pump is set to proportional-pressure control.
PP1	Min. Proportion pressure curve	The duty point of the pump will move up or down on the lowest proportional pressure curve, depending on the heat demand in the system. The pressure is reduce at falling of heat demand and increased at demand rising.
PP2	Max. Proportion pressure curve	The duty point of the pump will move up or down on the highest proportional pressure curve, depending on the heat demand in the system. The pressure is reduce at falling of heat demand and increased at demand rising.
CP1	Max. constant pressure curve	The duty point of the pump will move out or in on the highest constant-pressure curve, depending on the heat demand in the system. The pressure is kept constant, irrespective of the heat demand.
CP2	Min. constant pressure curve	The duty point of the pump will move out or in on the lowest constant-pressure curve, depending on the heat demand in the system. The pressure is kept constant, irrespective of the heat demand.
III	Speed III	In speed III, the pump is set to run on the max. curve under all operating conditions. Quick venting of the pump can be obtained by setting the pump to speed III for a short period.
II	Speed II	In speed II, the pump is set to run on the intermediate curve under all operating conditions.
I	Speed I	In speed I, the pump is set to run on the min. curve under all operating conditions.
	Night mode	The pump changes to automatic night setback, i.e. minimum performance and power consumption, provided that certain conditions are met.

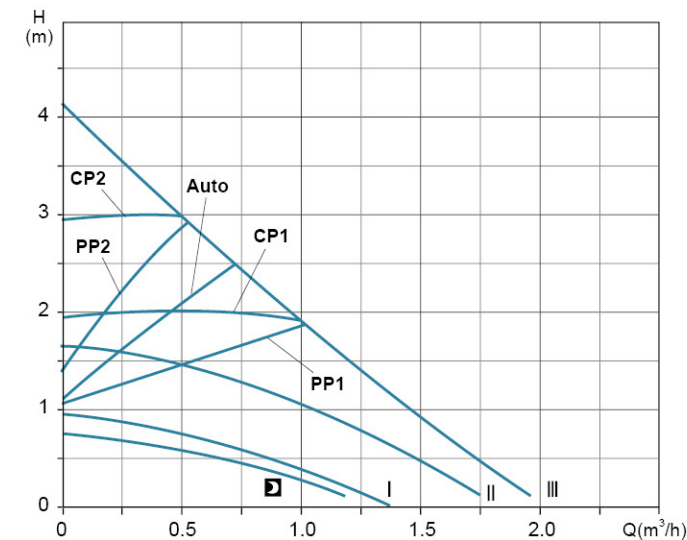
Technical Data

Model	Voltage /Frequency (V/Hz)	Max.Flow (m³/h)	Max.Head (m)	Power (W)	Inlet/Outlet	Pipe Size (inch)	EEI	G.W. (kg)	Packing Size (mm)
ARP15-40/130	220-240/50	2	4.1	22	Φ15	G1×G1	≤0.23	2.26	154×143×153
ARP15-50/130	220-240/50	2.3	5.2	32	Φ15	G1×G1	≤0.23	2.26	154×143×153
ARP15-60/130	220-240/50	2.6	6.2	45	Φ15	G1×G1	≤0.23	2.26	154×143×153
ARP20-40/130	220-240/50	2	4	22	Φ20	G1.25×G1.25	≤0.23	2.33	154×143×153
ARP20-50/130	220-240/50	2.3	5.1	32	Φ20	G1.25×G1.25	≤0.23	2.33	154×143×153
ARP20-60/130	220-240/50	2.6	6.1	45	Φ20	G1.25×G1.25	≤0.23	2.33	154×143×153
ARP25-40/130	220-240/50	2.1	4	22	Φ25	G1.5×G1.5	≤0.23	2.39	154×143×153
ARP25-40/180	220-240/50	2	4	22	Φ25	G1.5×G1.5	≤0.23	2.56	198×143×160
ARP25-50/130	220-240/50	2.3	5	32	Φ25	G1.5×G1.5	≤0.23	2.39	154×143×153
ARP25-50/180	220-240/50	2.3	5	32	Φ25	G1.5×G1.5	≤0.23	2.56	198×143×160
ARP25-60/130	220-240/50	2.4	6.1	45	Φ25	G1.5×G1.5	≤0.23	2.39	154×143×153
ARP25-60/180	220-240/50	2.7	6	45	Φ25	G1.5×G1.5	≤0.23	2.56	198×143×160
ARP32-40/180	220-240/50	2.2	4	22	Φ32	G2×G2	≤0.23	2.75	198×143×160
ARP32-50/180	220-240/50	2.5	5.1	32	Φ32	G2×G2	≤0.23	2.75	198×143×160
ARP32-60/180	220-240/50	2.8	6.1	45	Φ32	G2×G2	≤0.23	2.75	198×143×160

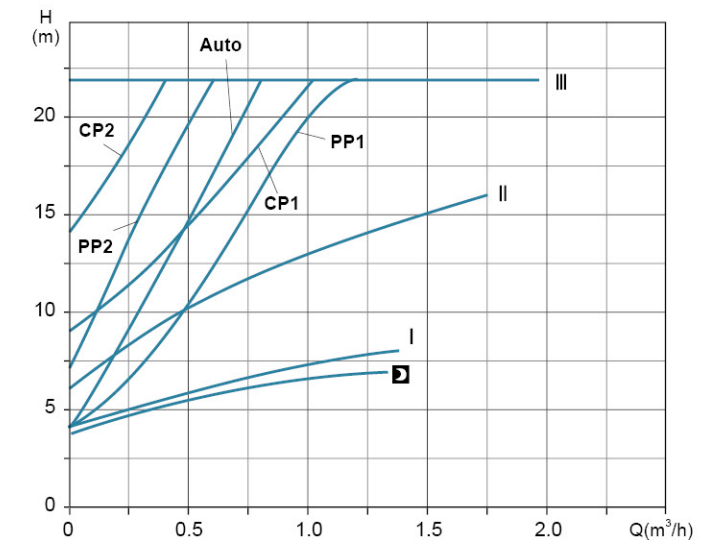
Performance Curve

Explain: ARPXX-40 curves (Q-H, Q-P1) applies to the following models:

ARP15-40/130, ARP20-40/130, ARP25-40/130, ARP25-40/180, ARP32-40/180



ARPXX-40 Q-H

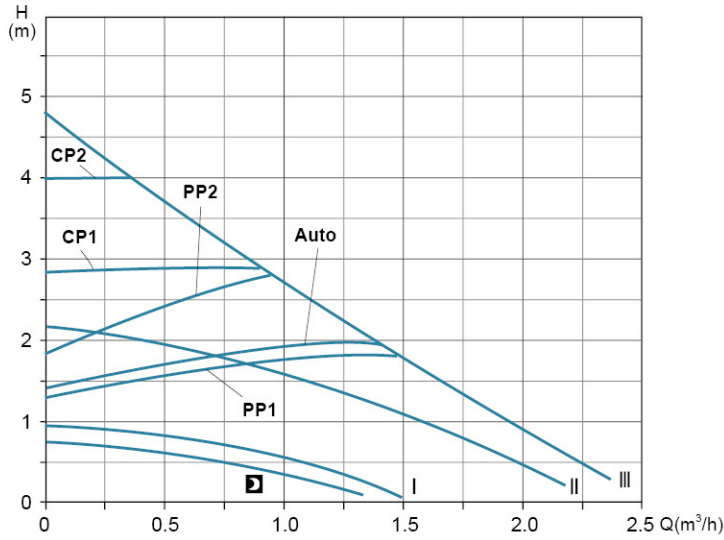


ARPXX-40 Q-P1

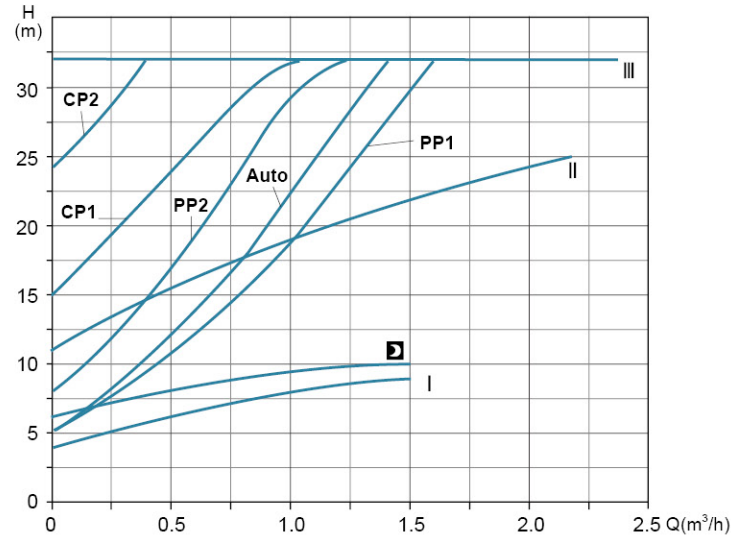
Performance Curve

Explain: ARPXX-50 curves (Q-H, Q-P1) applies to the following models:

ARP15-50/130, ARP20-50/130, ARP25-50/130, ARP25-50/180, ARP32-50/180

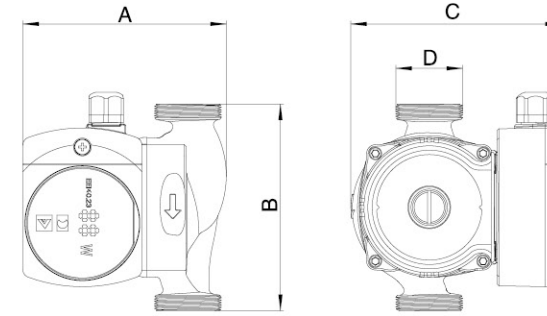


ARPXX-50 Q-H



ARPXX-50 Q-P1

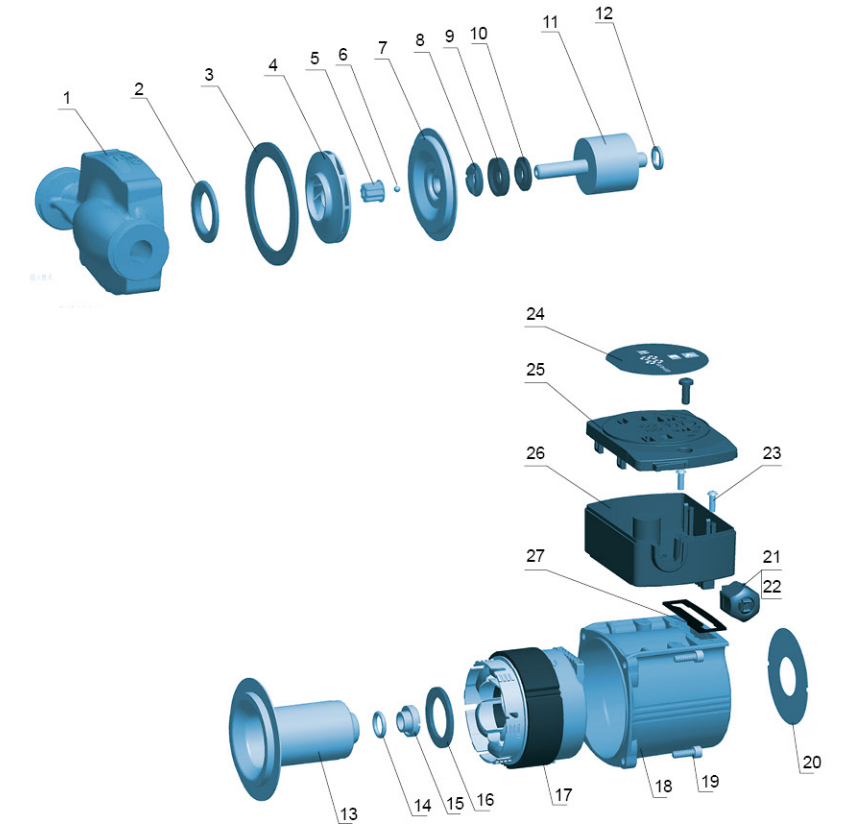
Dimension



Model	A (mm)	B (mm)	C (mm)	D
ARP15-40/130	130	130	135	G1
ARP15-50/130	130	130	135	G1
ARP15-60/130	130	130	135	G1
ARP20-40/130	130	130	135	G1.25
ARP20-50/130	130	130	135	G1.25
ARP20-60/130	130	130	135	G1.25
ARP25-40/130	130	130	135	G1.5
ARP25-50/130	130	130	135	G1.5
ARP25-60/130	130	130	135	G1.5
ARP25-40/180	130	180	135	G1.5
ARP25-50/180	130	180	135	G1.5
ARP25-60/180	130	180	135	G1.5
ARP32-40/180	135	180	135	G2
ARP32-50/180	135	180	135	G2
ARP32-60/180	135	180	135	G2

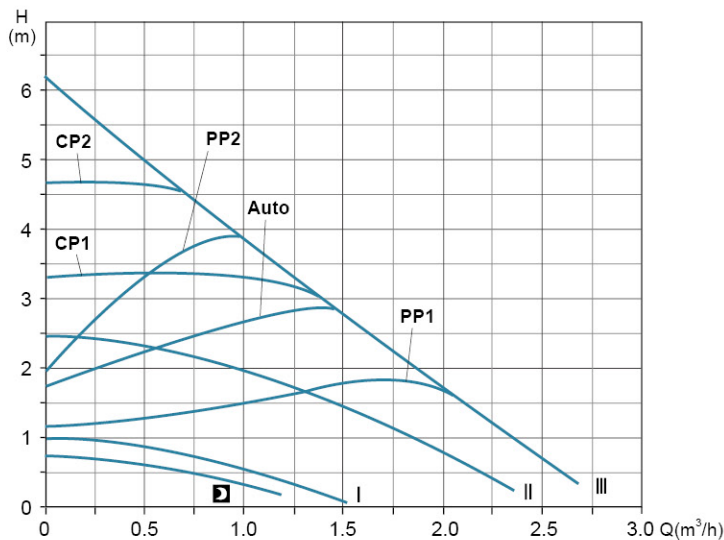
Materials Table

No.	Part	Material
1	Pump body	HT200/AISI304
2	Pump body inset	06Cr19Ni10
3	Body gasket	Silicon rubber
4	Impeller	PPO
5	locking	06Cr19Ni10
6	Check ball	Silicon rubber
7	Pump support cover	
8	Bushings	Graphite
9	Thrust ring support	Silicon rubber
10	Thrust bearing adjusting mat	PPO-GF30
11	Rotor	
12	Back bearing adjusting mat	PPO-GF30
13	Can brg asm	
14	O-ring	Rubber
15	Drain plug	DZR
16	Can brg asm seal	Silicon rubber
17	Stator sleeve	
18	Housing	ADC12
19	Bolt	
20	Nameplate	PC
21	Cable nut	ABS
22	Cable outlet nut	PA6-GF20
23	Washer	
24	Bolt	
25	Terminal cover	
26	Terminal box	
27	Terminal box seal	Rubber

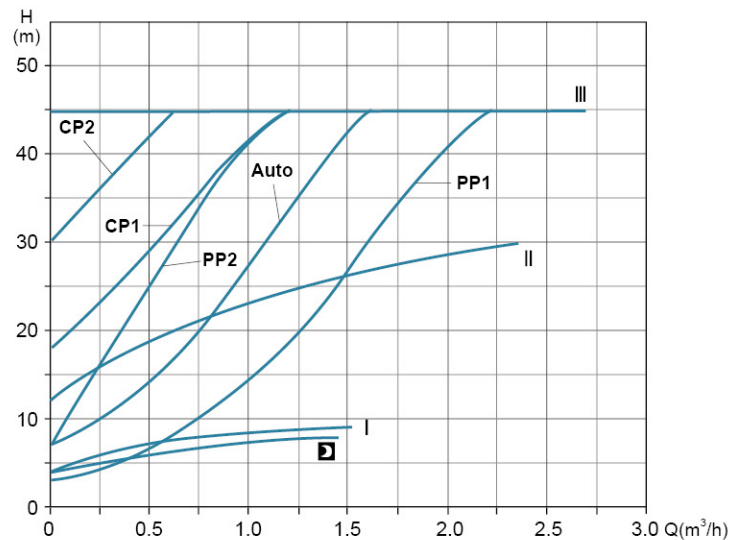


Explain: ARPXX-60 curves (Q-H, Q-P1) applies to the following models:

ARP15-60/130, ARP20-60/130, ARP25-60/130, ARP25-60/180, ARP32-60/180



ARPXX-60 Q-H



ARPXX-60 Q-P1



Application

It is widely used for

- Pressure boosting for domestic water supply
- Floor heating system
- Solar pumping system

Pump

- Automatic pressure boosting
- Anti-rust cast iron pump body
- Noryl impeller with heat resistance up to 150°C
- 99% alumina ceramic shaft
- Liquid temperature: 2°C - 60°C

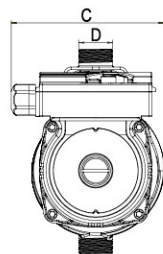
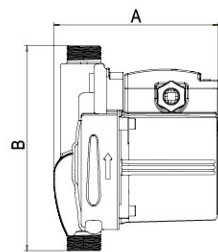
Motor

- Insulation class: H
- Protection class: IP42
- 99% alumina ceramic bearing
- Copper winding

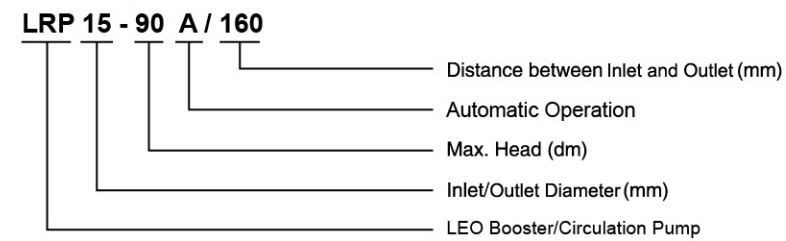
Connectors on request



Dimension Drawing



Identification Codes

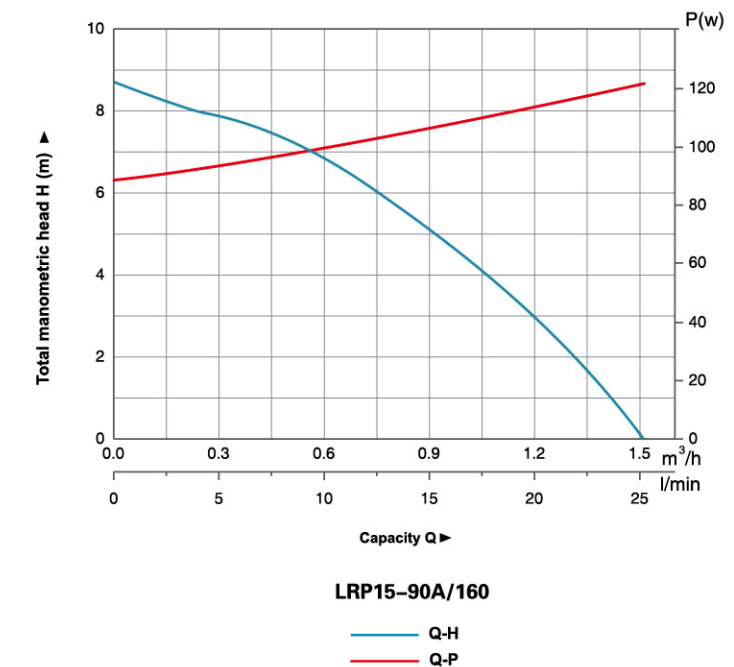
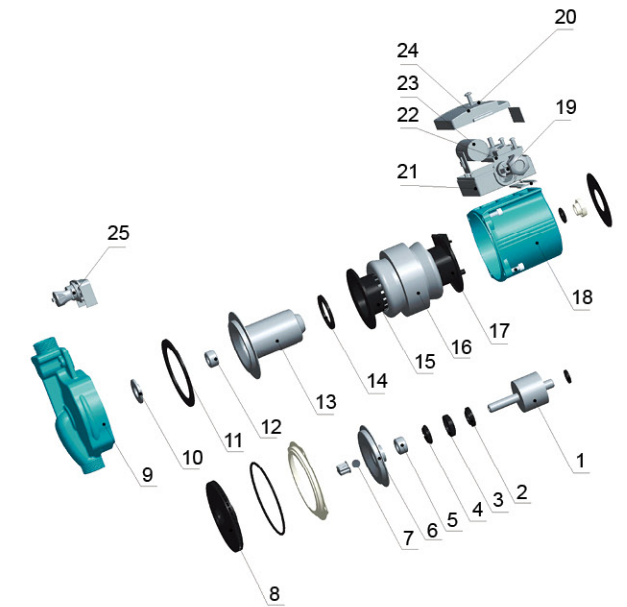


MODEL	A (mm)	B (mm)	C (mm)	D
LRP15-90A/160	129	160	120	G 3/4

MODEL	Voltage/Frequency	Power (W)	Max.Flow (l/min)	Max.Head (m)	Inlet/Outlet (mm)	Pipe Size (inch)	N.W. (kgs)	G.W. (kgs)	Packing Size (mm)
LRP15-90A/160	1~230V/50Hz	123	25	9	Φ15	1/2	2.72	2.74	198x143x160

Materials Table

No.	Part	Material
1	Rotor	
2	Thrust bearing adjusting mat	Noryl
3	Thrust ring support	Silicon rubber
4	Bushings	Graphite
5	Front bearing	Alumina
6	Pump support cover	Stainless steel
7	Check ball	Silicon rubber
8	Impeller	PPO
9	Pump body	Cast iron/bronze
10	Pump body insert	Stainless steel
11	Body gasket	
12	Rear bearing	HT200
13	Can brg asm	Stainless steel
14	Can brg asm seal	Silicon rubber
15	Stator cover(front)	PA66
16	Stator sleeve	
17	Stator cover(back)	PA66
18	Housing	ADC12
19	Cable outlet nut	ABS
20	Button	ABS
21	Terminal box	PA6
22	Regulation switch	
23	Capacitor	
24	Terminal cover	ABS
25	Flow switch assembly	





Application

- It is suitable for boosting hot water powered by solar energy for sauna and bathing and solves insufficient water pressure in high-rise buildings.
- It can also supply water (less than 100°C) to two families.

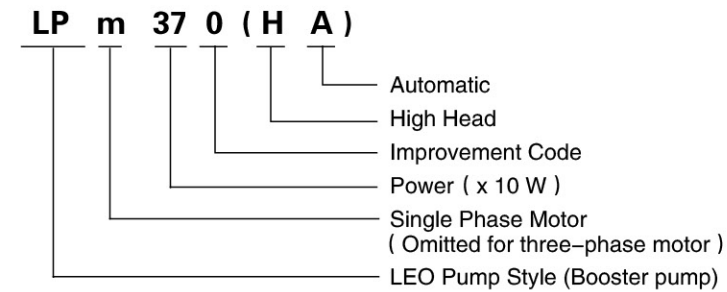
Pump

- Cast iron pump body and support under special anti-rust treatment
- AISI 304 shaft
- Liquid temperature: 2°C - 100°C

Motor

- Insulation class: F
- Protection class: IP44

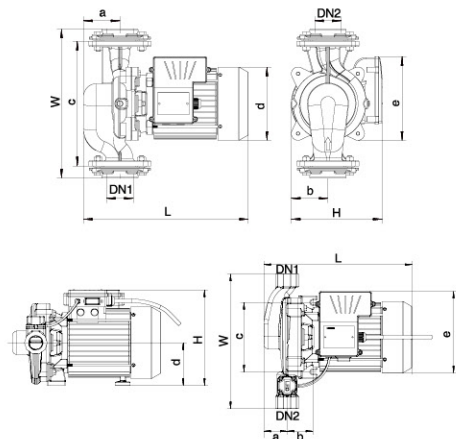
Identification Codes



Technical Data

Model	Power kW	Qm ³ /h QL/min	H (m)															
			0	1.5	3	4.5	6	7.5	9	10.5	12	13.5	15	16.5	18	19.5		
LPm125	0.125		5.5	5	4.8	3.8	3	1.7	-	-	-	-	-	-	-	-	-	
LPm250	0.25		5.5	5.2	5.1	4.9	4.6	4.2	3.5	2.8	2	-	-	-	-	-	-	
LPm370	0.37		8	7.9	7.8	7.5	7.2	6.7	6.2	5.6	4.8	4	3.3	2.3	-	-	-	
LPm550	0.55		19	19	18.9	18	17	16	14.9	13.7	12.4	11.2	9.8	8.5	6.6	4	-	

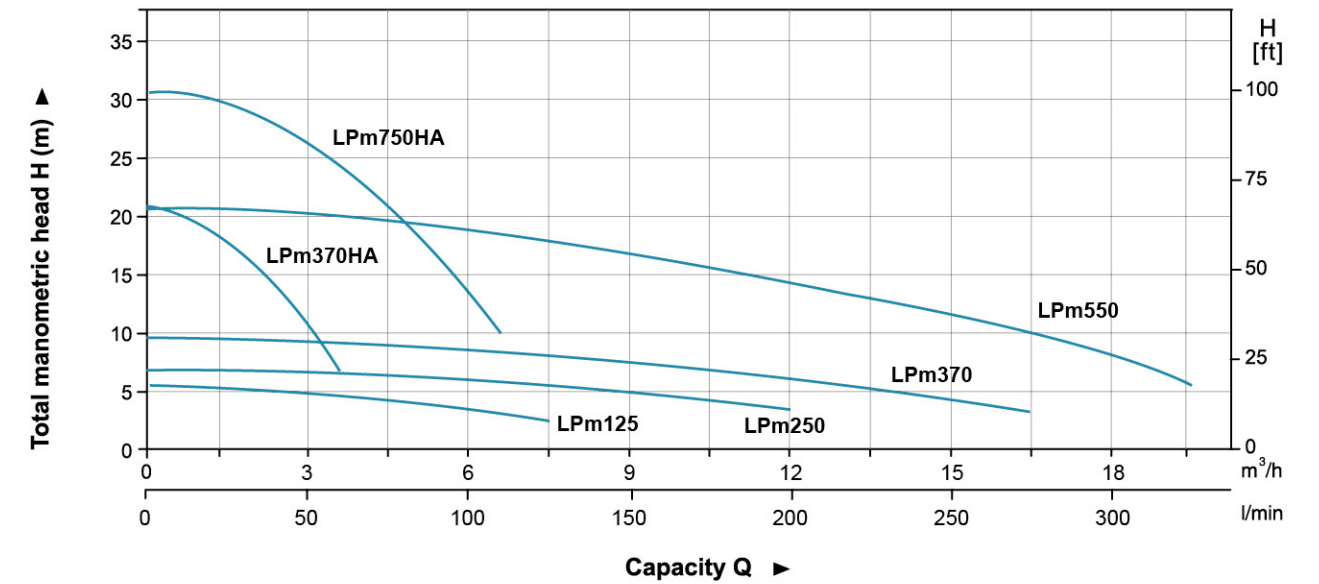
Model	Power kW	Qm ³ /h QL/min	H (m)															
			0	0.6	1.2	1.8	2.4	3.0	3.6	4.2	4.8	5.4	6.0	6.6				
LPm370HA	0.37		21	20.6	18.5	16	13.4	10	5.5	-	-	-	-	-	-	-	-	
LPm750HA	0.75		30.8	30.7	30	29.5	28.3	26.3	24.4	22	19	16.2	13.2	9.4	-	-	-	



Dimension

Model	DN1	DN2	L (mm)	W (mm)	H (mm)	a (mm)	b (mm)	c (mm)	d (mm)	e (mm)
LPm125	1 1/2"	1 1/2"	275	260	186	47	74	210	Φ141	160
LPm250	2"	2"	301	313	190	71	78	260	Φ141	164
LPm370	2 1/2"	2 1/2"	367	334	195	77	84	280	Φ141	173
LPm550	2"	2"	369	344	210	81	87	280	Φ165	182
LPm370HA	1"	1"	295	270	209	43	60	124	Φ95	141
LPm750HA	1"	1"	341	310	220	54	59	160	Φ98	165

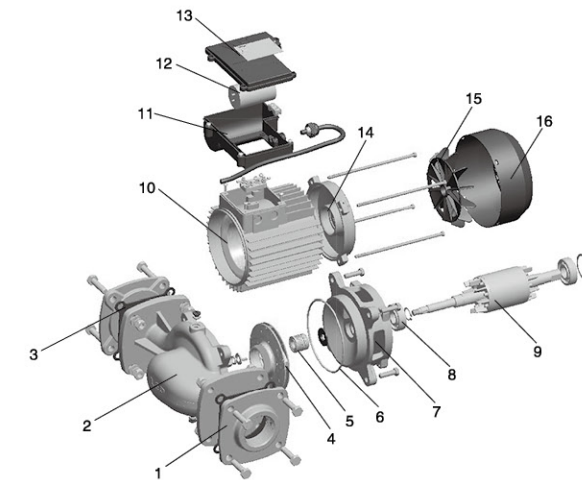
Hydraulic Performance Curves



Materials Table

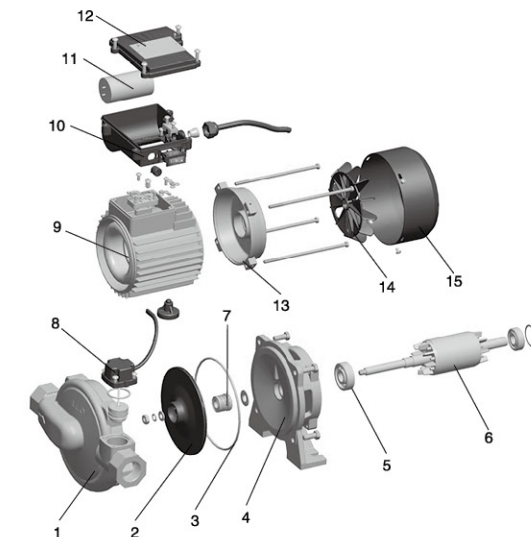
LPm125/LPm250/LPm370/LPm550

No.	Part	Material
1	Flange	HT200
2	Pump body	HT200
3	Flange gasket	
4	Impeller	PPO
5	Machanical Seal	Carbon/Ceramic
6	O ring	
7	Support	HT200
8	Bearing	
9	Rotor	
10	Stator	
11	Terminal Box	ABS
12	Capacitor	
13	Terminal Box Cover	
14	Rear Cover	ZL102
15	Fan	PP
16	Fan cover	08F



LPm370HA/LPm750HA

No.	Part	Material
1	Pump body	HT200
2	Impeller	PPO
3	O ring	
4	Support	HT200
5	Bearing	
6	Rotor	
7	Machanical Seal	Carbon/Ceramic
8	Control switch	
9	Stator	
10	Terminal Box	ABS
11	Capacitor	
12	Terminal Box Cover	
13	Rear Cover	ZL102
14	Fan	PP
15	Fan cover	08F





Application

- Hot water circulation and heating system
- Air-conditioning system
- Industrial circulation system
- General pressure boosting in household

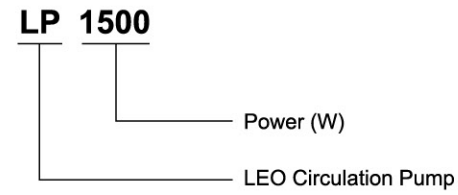
Pump

- Cast iron pump body and support under special anti-rust treatment
- AISI 304 shaft
- Liquid temperature: 2°C - 100°C

Motor

- Insulation class: B
- Protection class: IP44

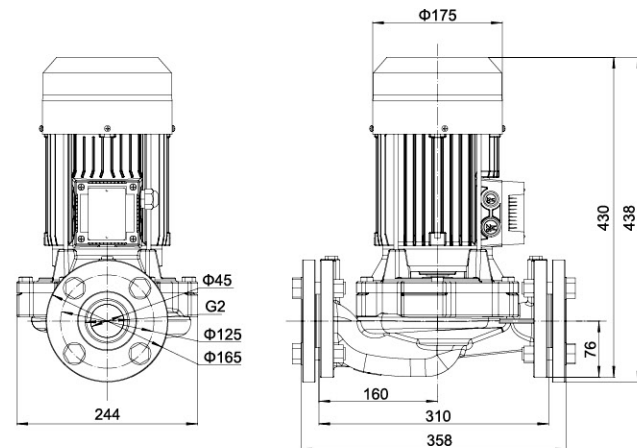
Identification Codes



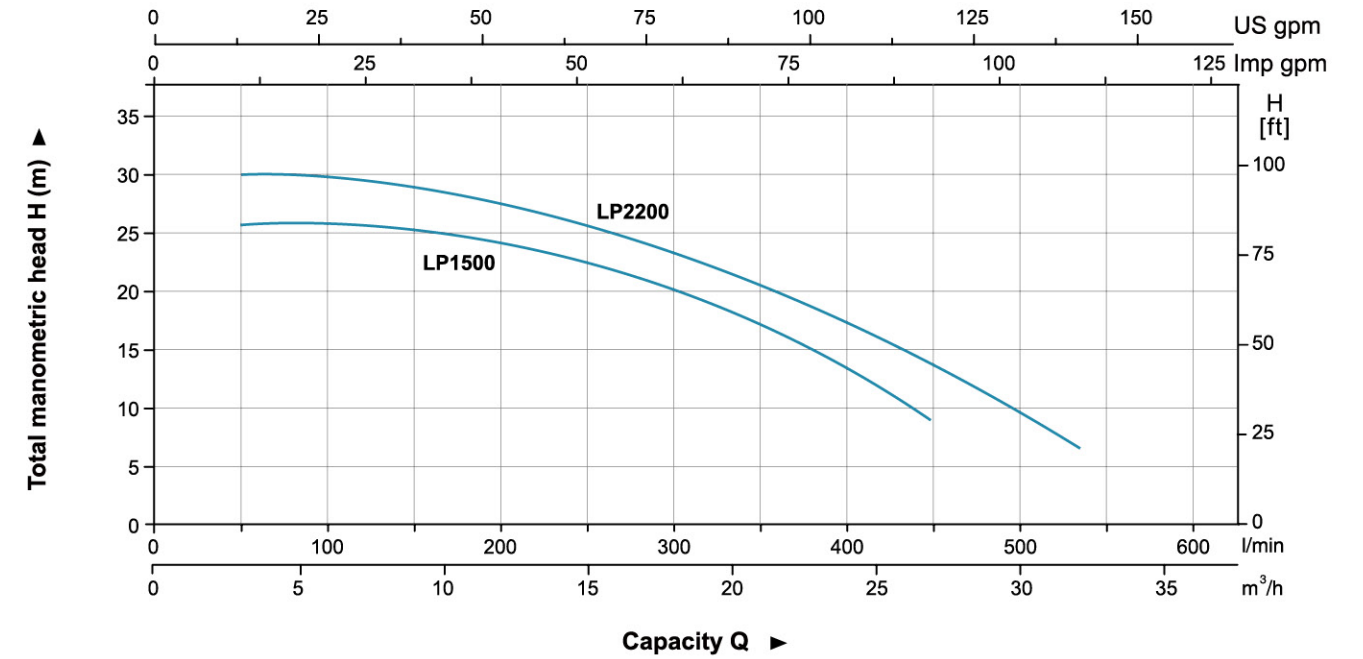
Technical Data

Model	Power		Q(m³/h)	Q(l/min)											
	kW	HP		0	6	9	12	15	18	21	24	30	32		
LP1500	1.5	2	H (m)	26	25	24	23	21	19	17	13	5	0		
LP2200	2.2	3		34	33	32	30	28	26	23	20	12	8		

Dimension

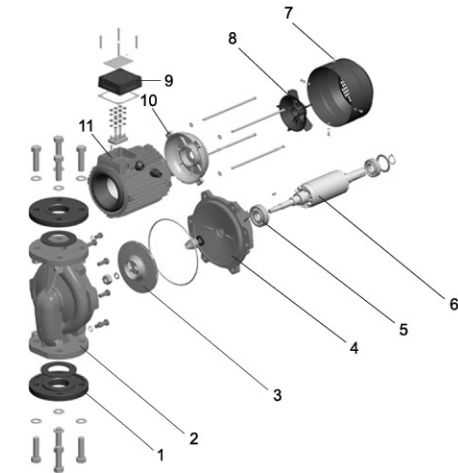


Hydraulic Performance Curves



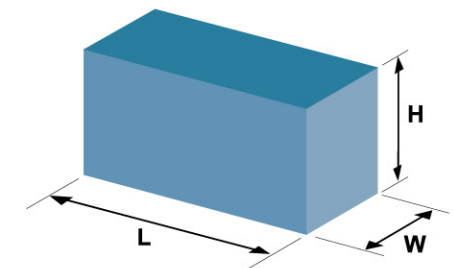
Materials Table

No.	Part	Material
1	Flange	HT 200
2	Pump body	HT 200
3	Impeller	Brass
4	Support	HT 200
5	Bearing	
6	Rotor	
7	Fan cover	08F
8	Fan	PP
9	Terminal box	ABS
10	Rear cover	ZL102
11	Stator	



Package Information

Model	G.W (kg)	L (mm)	W (mm)	H (mm)
LP1500	37	450	325	375
LP2200	38.8	450	325	375



Pump Range



● Peripheral Pump



● Self-Priming Peripheral Pump



● Jet Pump



● Jet Pump for Deep Wells



● Centrifugal Pump



● Multistage Centrifugal Pump



● Self-Priming Centrifugal Pump



● Stainless Steel Multistage Centrifugal Pump



● Stainless Steel Centrifugal Pump



● Submersible Pump



● Stainless Steel Submersible Pump



● Stainless Steel Submersible Sewage Pump



● Flexible Shaft Pump



● Domestic Lifting Station



● Pool Pump



● Garden Submersible Pump



● Garden Jet Pump



● Pressure Booster System



● Fountain Pump



● Standard Centrifugal Pump



● Submersible Borehole Pump



● Gasoline/Diesel Water Pump



● Booster Pump/Circulation Pump

Pump Range



● Submersible Sewage Pump



● Submersible Sewage Pump



● Submersible Dewatering Pump



● Submersible Slurry Pump



● Stainless Steel Vertical Multistage Pump



● Stainless Steel Horizontal Multistage Pump



● Semi-open Impeller Stainless Steel Centrifugal Pump



● Stainless Steel Standard Centrifugal Pump



● Pressure Booster System



● Vertical In-line Pump



● Bare Shaft End Suction Centrifugal Pump



● End Suction Centrifugal Pump