

POLYPROPYLENE



TECHNICAL DATA

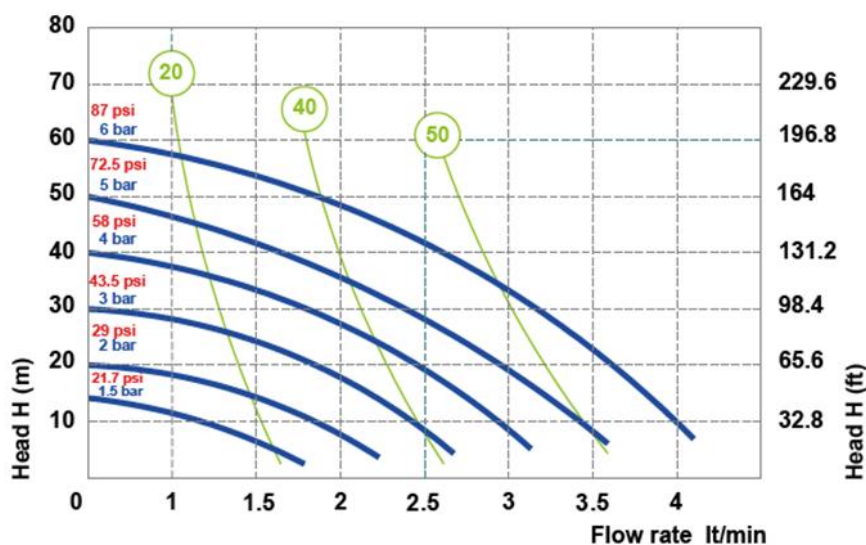
Fluid connections	1/4" BSP
Air connection	4 mm
Max. Flow rate	4 lt/min
Max air pressure	6 bar
Max delivery head	60 m
Max Suction Lift Dry	3 m
Max Suction Lift Wet	9,8 m
Max Solid passing	2 mm
Noise level:	62 dB
Max Viscosity:	5.000 cps
Displacement per Stroke:	18 CC ~

- ⊕ II 3/3 G Ex h IIB T4 Gc
- ⊕ II -/3 D Ex h IIB T135°C Dc X

Displacement per stroke may vary based on suction condition, discharge head, air pressure and fluid type.

WEIGHT	TEMPERATURE	
0,84 KG	-4°C	+65°C

PERFORMANCE

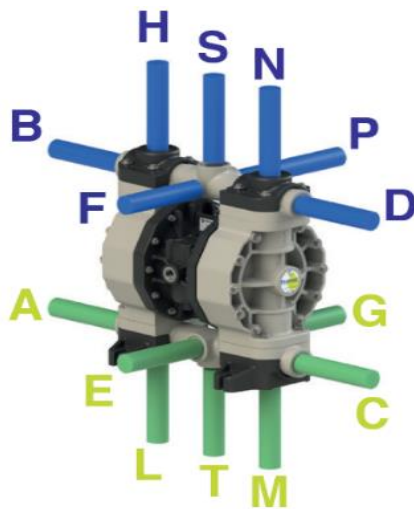


- Air supply pressure
- Air consumption Nit/min

The curves and performance values refer to pumps with submerged suction and free delivery outlet, with water at 20°C. These data may vary according to the construction materials and hydraulic conditions.

COMPOSITION

MODEL	CASING	DIAPHRAGM	BALLS	SEATS	GASKET	CONNECTIONS	ATEX	PORTS
P0003	P = PP	NT = NBR+PTFE	T = PTFE S = SS	P = PP	D = EPDM V = VITON N = NBR T = PTFE	I = BSP 5 = NPT	-- ZONE 2	AB = STANDARD



AVAILABLE CONNECTIONS

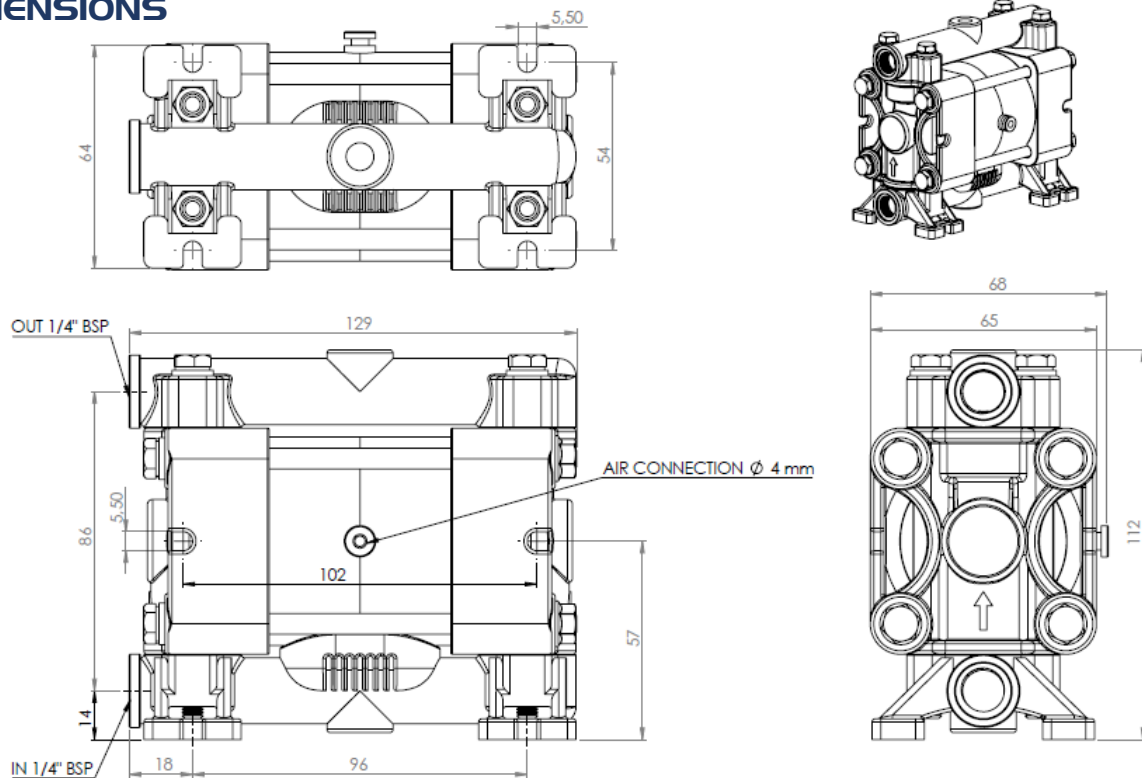
DELIVERY: B-D-S

SUCTION: A-C-T

PACKING DIMENSION

CARTON BOX: 17 x 21 x 11 cm

DIMENSIONS



Technical data are approximate and not binding for the manufacturer who reserves the right to change them without notice at any time.